

BONNET

BONNET GRANDE CUISINE

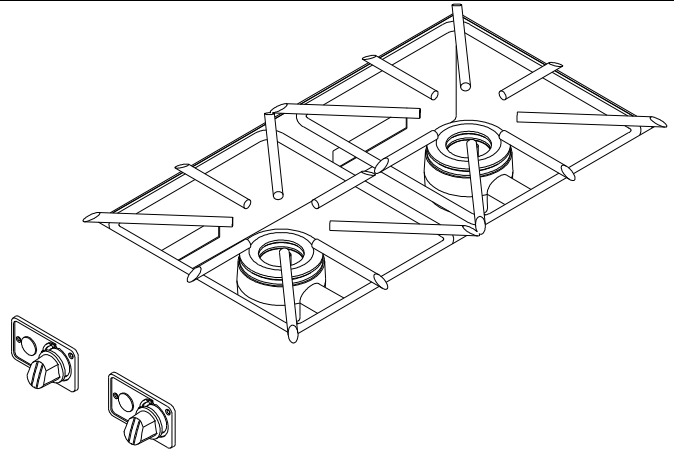
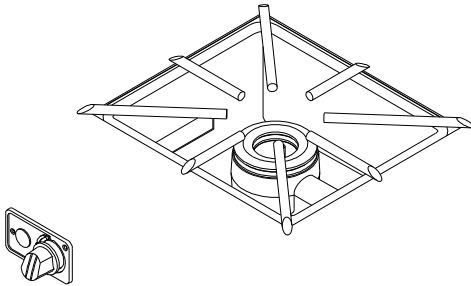
Rue des Frères Lumière - Z.I Mityr Compans
77292 MITRY MORY Cedex

MAESTRO – Gas top units :

Open burners

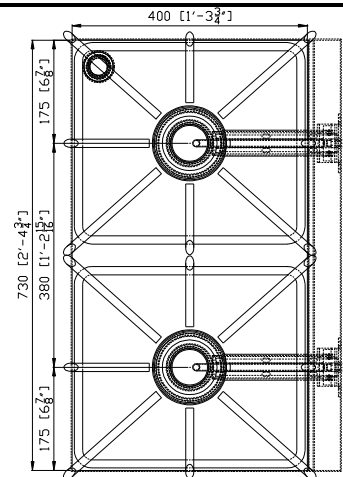
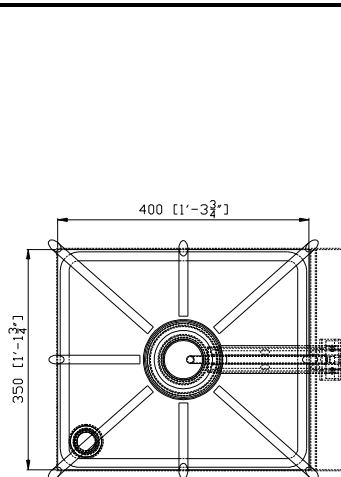
441A14

442A14



GENERAL

- Individual stainless steel pan supports each 400 x 350 (1'-3³/₄" x 1'-1³/₄").
- High output brass burner, removable for easy cleaning with central and external flame face and integral pilot.
- Radiused stainless water bath with overflow to the rear to catch spillages and prevent anything burning on.
- Drain to be connected to waste.
- Control and adjustment by gas valve and pilot.
- Cast brass control knob and backing plate on the front facia.



MODEL				MUS.1FV		MUS.2FV	
Power (gas) Btu/hr / (kW)				27,300 / (8)		2 x 27,300 / (2 x 8)	
Type of gas		Pressure		Consumption			
Gas A	Natural	4 iwc	10 mb	28.34 ft ³ /h	0.72 m ³ /h	2 x 28.34 ft ³ /h	2 x 0.72 m ³ /h
Gas E	Propane	10 iwc	25 mb	1.29 lb/hr	0.59 kg/h	2 x 1.29 lb/hr	2 x 0.59 kg/h

NORMS : CONFORMS TO

ANSI Z83.11-2002 : American standard relative to safety of gas appliances.

CSA 1.8-2002 : Canadian standard relative to safety of gas appliances.

NSF4 : Food hygiene standard.



Non contractual document Edition 10/2003-US400.0