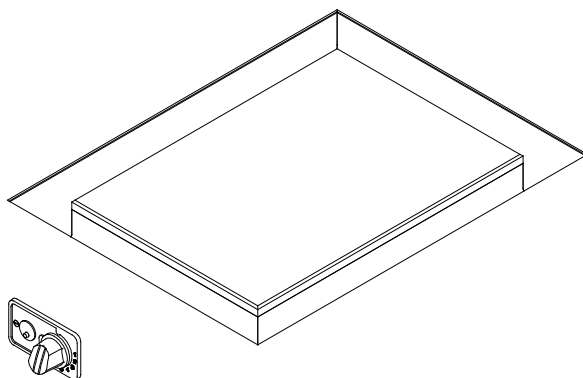


MAESTRO - Electric top units :

Planchas "à la Française"

CU1119-0-1 / AU1119-0-1

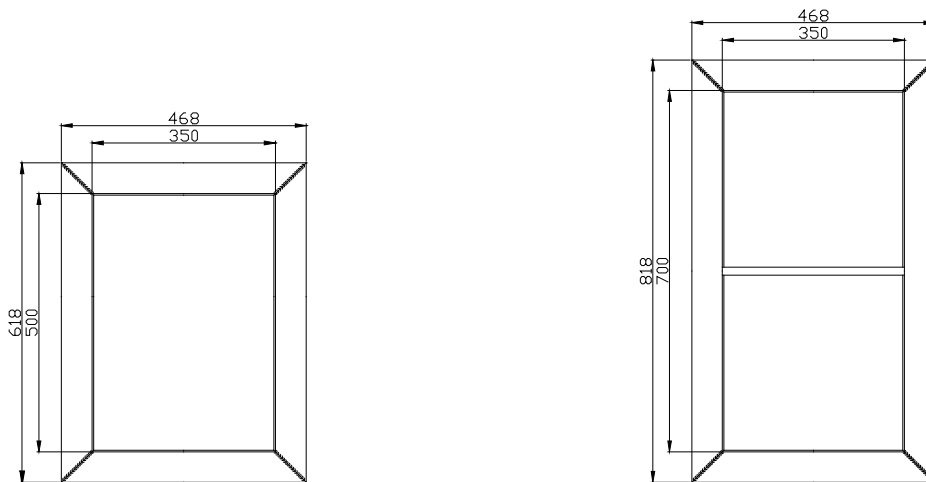
CU1120-0-1 / AU1120-0-1



Represented model :
CU1119-0-1

GENERAL

- Single or double smooth cooking plate in extremely thick special steel alloy.
- Fitted over a radiused peripheral gully with a catch container below to recover cooking juices or for when cleaning.
- Heating elements with integral overheat safety.
- Control and heat adjustment by thermostat with indicator light.
- Cast brass control knob and backing plate on the front facia.



MODEL	MUS.PL500A.E	MUS.PL700A.E
ELECTRICITY		
Voltage	208 V 2 a.c. / 60 Hz	208 V 3 a.c. / 60 Hz
Power (kW)	2.9	5.7
Intensity Max (A)	14	24

NORMS : CONFORMS TO

- ANSI Z83.11-2002 :** American standard relative to safety of gas appliances.
CSA 1.8-2002 : Canadian standard relative to safety of gas appliances.
NSF4 : Food hygiene standard.

